

## Product Features



**Positive tolerance**  
Guaranteed tolerance +3%  
Reliable power output



**High module efficiency**  
Module efficiency up to 16.0%  
Cells efficiency up to 18.8%



**Strong compressive strength**  
Certified to withstand high wind of 2400Pa  
and snow loads of 5400Pa



**High manufacture standards**  
certified to high standards by the  
most reputable labs According to  
IEC:61215: IEC:61730-1/2



**International Management System**  
Manufactured and certified according  
to ISO9001, Quality management system



**Fire test approved**  
Application class A, Safety Class II, Fire Rating C



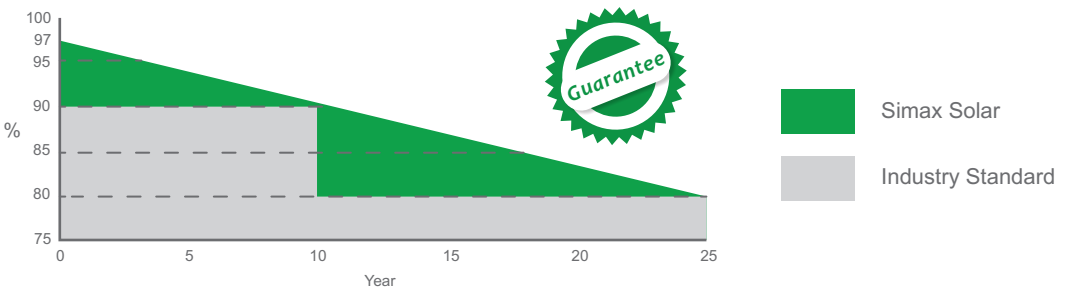
**Excellent performance under extreme condition**  
High salt mist and ammonia resistance



**Reliable quality forever**  
Without potential induced  
degradation (PID-free)

## Leading Warranty in PV Industry

- 25 year transferrable power output warranty: 10 years / 90%, 25 years / 80%
- Linear performance warranty from SIMAX Power
- 12 year material and workmanship warranty



\* Please refer to Simax Solar Product Warranty for details.

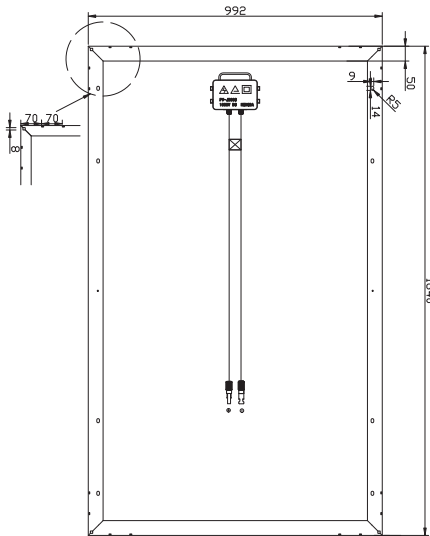
## Electrical Characteristics

Parameters	SM660-240		SM660-245		SM660-250		SM660-255		SM660-260	
	STC	NOCT	STC	NOCT	STC	NOCT	STC	NOCT	STC	NOCT
Peak power [Wp] $P_{mpp}$	240W	181W	245W	184W	250W	188W	255W	192W	260W	196W
Open circuit voltage [V] $V_{oc}$	37.4	36.2	37.4	36.2	38.1	36.2	38.3	36.3	38.7	36.3
Maximum Power Voltage [V] ( $V_{mpp}$ )	30.2	28.9	30.2	29.1	30.7	29.4	30.9	29.2	31.2	29.1
Maximum Power Current [A] ( $I_{mpp}$ )	7.94	6.25	8.11	6.34	8.15	6.40	8.25	6.57	8.33	6.72
Short circuit Current [A] ( $I_{sc}$ )	8.58	6.50	8.76	6.63	8.80	6.77	8.90	6.89	9.01	7.03
Power Tolerance	0~+3%		0~+3%		0~+3%		0~+3%		0~+3%	
Module Efficiency (%)	14.8%		15.1%		15.4%		15.7%		16.0%	

STC: Irradiance : 1000 W/m<sup>2</sup>; Spectrum AM 1.5; Cell temperature: 25°C; Wind 0 m/s

NOCT: Irradiance: 800W/m<sup>2</sup>; Spectrum AM 1.5; ambient temperature 20°C, wind speed 1 m/s

## Mechanical Characteristics



Solar Cell	Monocrystalline silicon 156 x 156 (mm)
No. of Cells	60 ( 6 x 10 )
Dimensions	1640 x 992 x 40 mm (Option 45 / 50 mm)
Weight	17.5 kg
Front Glass	3.2mm (0.13 inches) tempered glass
Frame	Anodized aluminum alloy

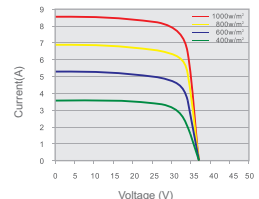
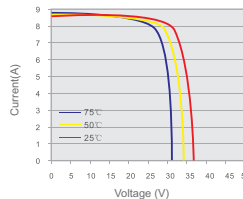
## Output

Cable Type	Ø = 4 mm <sup>2</sup>
Lengths	L = 900 mm
Junction Box	PV - JB003 MC4

## Temperature Coefficients

Nominal Operating Cell Temperature (NOCT)	45 ± 2°C
Temperature Coefficient of ( $P_{max}$ )	-0.39% / °C
Temperature Coefficient of ( $V_{oc}$ )	-0.34% / °C
Temperature Coefficient of ( $I_{sc}$ )	0.036% / °C

- Provide the best solutions for photovoltaic power generation and technical support
- Provide Cost-effective products
- Provide 12 Years Quality Warranty
- Power out ≥ 90% in 10 years
- Power out ≥ 80% in 25 years



**Simax Green New Energy (Europe) GmbH**  
 Mergenthaler Allee 23 / 25  
 65760 Eschborn / Germany  
 Tel.: +49 6196 9739 525  
 Fax: +49 6196 5929 684  
 info@simaxsolar.de  
 www.simaxsolar.de



**Simax (Australia) Green New Energy Pty Ltd**  
 5 / 78 Frankston Gardens Drive,  
 Carrum Downs, VIC 3210  
 Tel: +61 03 9708 2400  
 Fax: +61 03 9708 2482  
 info@simaxsolar.com  
 www.simaxsolar.com.au



**Simax (Suzhou) Green New Energy Co.,Ltd**  
 No. 567 Suzhou Road, Taicang city,  
 Jiangsu province, China P.C.: 215400  
 Tel: +86 512 5337 8555  
 Fax: +86 512 5337 8556  
 info@simaxsolar.com  
 www.simaxsolar.com

